

CREATIVE SOUND SOLUTIONS FR125SR FULL RANGE



The FR125SR is Creative Sound Solutions RoHS compliant 4.5" (125mm) full range loudspeaker. It is a shielded driver featuring a curvilinear paper cone, rubber surround, & copper phase plug suitable for Hi-Fi & Home Theatre use. The driver is based on the patented* XBL²™ motor topology used under license. In addition to RoHS this new version of the FR125SR has a new more open cast aluminum basket.

The flatter BL, lower distortion, low moving mass, & significant excursion provided by the XBL²™ motor, permit this speaker to perform very cleanly with a wide frequency response as well as almost unbelievable bass output.

The FR125SR is the evolution of the world's first full range speaker using XBL²™ motor topology for purists who want no crossover in the way of their music

satisfaction.

The FR125SR has superb midrange clarity & extended, low distortion bass. On a standard IEC baffle in a 200 litre enclosure the on-axis response is ± 3 dB from 75 Hz to 20 kHz. The FR125SR is a superb full range driver priced to provide extraordinary value.



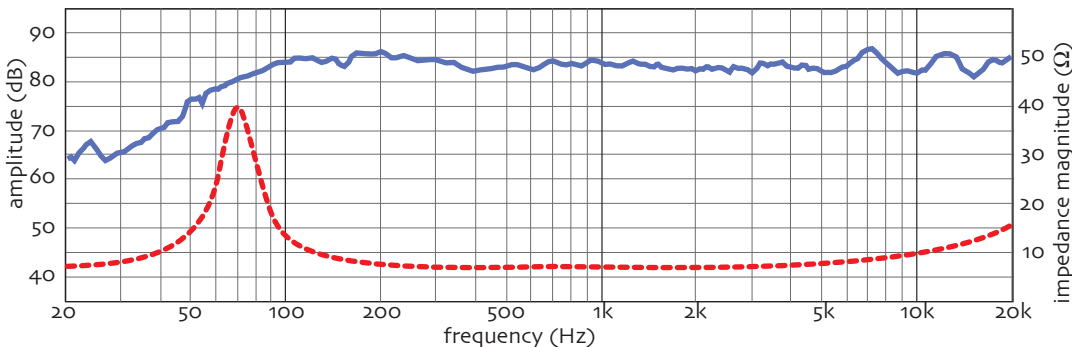
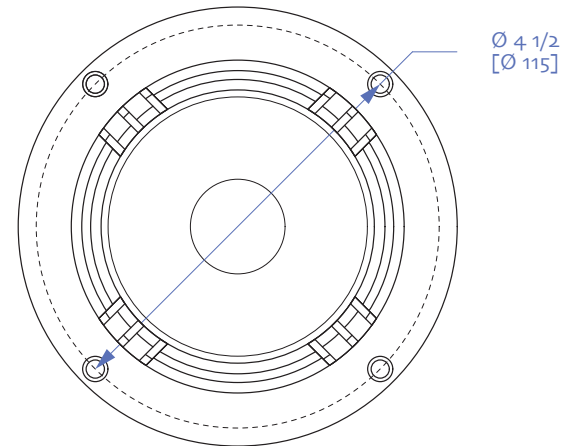
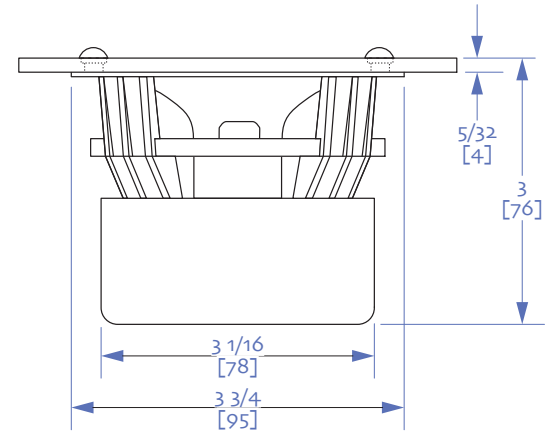
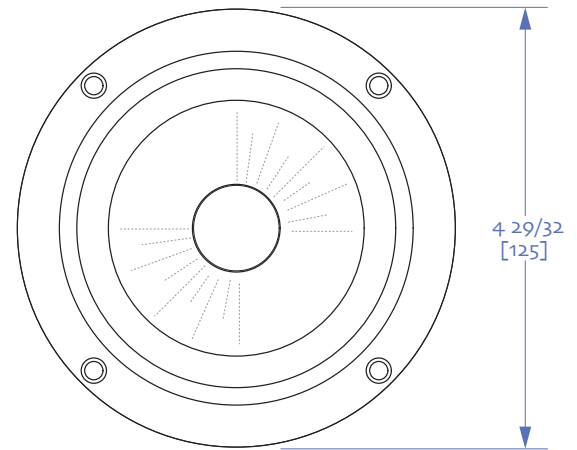
The DIY community has embraced these drivers & a growing number of enclosures have been published – sealed, bass reflex, ML-TL, ML-Voigt, open-baffle, & even horn designs. Visit www.creativesound.ca for links to these designs and a number of discussions on the real-world experiences of those that have already adopted these drivers.

A growing number of small OEM finished speaker suppliers have made this driver the heart of their speaker systems & an international distribution network is developing.

*US patent #7,039,213



CSS FR125SR Thiele/Small Parameters				
F_s (Hz)	70.0	X_{max} (one way)	6mm	
Q_{es}	0.72	S_d (cm ²)	57	
Q_{ms}	3.37	L_e	0.35	
Q_{ts}	0.59	BL	NA	4.28
V_{as} (litres)	5.98	M_{ms} (g)	4.6	
R_e (Ω)	7.0	SPL (dB@1W 1m)	85.5	



creative sound solutions

44-31255 Upper Maclure Rd
Abbotsford, BC Canada V2T 5N4

☎ 604-504-3954

www.creativesound.ca